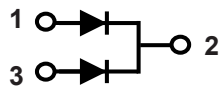
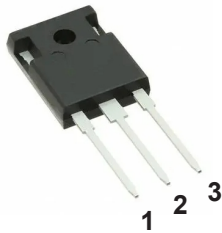


## Superfast Recovery Rectifier

**TO-247**  
**MUR4030PT**



### Features

- Low forward voltage drop
- Low leakage current
- High current capability
- Super fast switching speed
- High forward surge capability
- High reliability

### Mechanical Data

- Epoxy: UL 94V-O rate flame retardant
- Lead: lead solderable per MIL-STD-202, method 208 guaranteed
- Mounting position: Any

Parameter	Symbols	MUR4030PT	Units
Maximum Repetitive Peak Reverse Voltage	VRRM	300	V
Maximum RMS voltage	VRMS	210	V
Maximum DC Blocking Voltage	VDC	300	V
Maximum Average Forward Rectified Current	I(AV)	40.0	A
Maximum Reverse Recovery Time IF=0.5A,IR=1A,IRR=0.25A	Trr	50	ns
Peak Forward Surge Current 8.3 ms Single Half Sine Wave Superimposed on Rated Load (JEDEC Method)	IFSM	250	A
Max Forward Voltage at 5A and 25 C	VF	0.93	V
Max Forward Voltage at 20A and 25 C		1.15	
Maximum DC Reverse Current @TA=25 C at Rated DC Blocking Voltage @TA=125 C	IR	10 500	μA
Typical Junction Capacitance (Note1)	Cj	85	pF
Operating and Storage Temperature Range	Tj, Tstg	-55 ~ +150	C
Typical thermal resistance (Note 2)	RthJC	1.5	C/W

Note: 1. Measured at 1MHz and applied reverse voltage of 4 VDC.

2. Thermal resistance junction to case, lead and ambient in accordance with JESD-51.

Unit mounted on glass-epoxy substrate with 1oz/ft<sup>2</sup> 20x20 mm copper pad per pin with heatsink

## RATINGS AND CHARACTERISTICS CURVES (TA = 25°C unless otherwise noted)

FIG.1 - FORWARD CURRENT DERATING CURVE

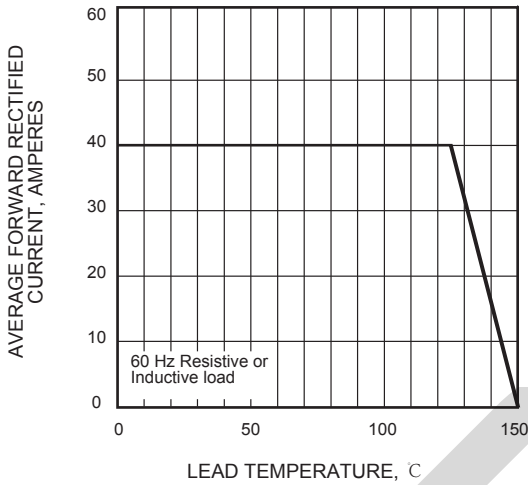


FIG.2 - MAXIMUM NON-REPETITIVE PEAK FORWARD SURGE CURRENT

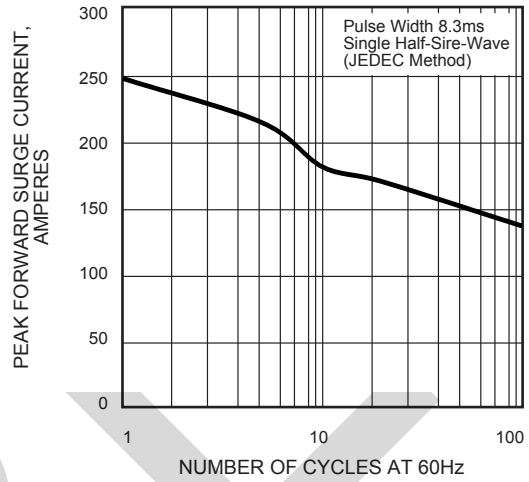


FIG.3 - TYPICAL INSTANTANEOUS FORWARD CHARACTERISTICS

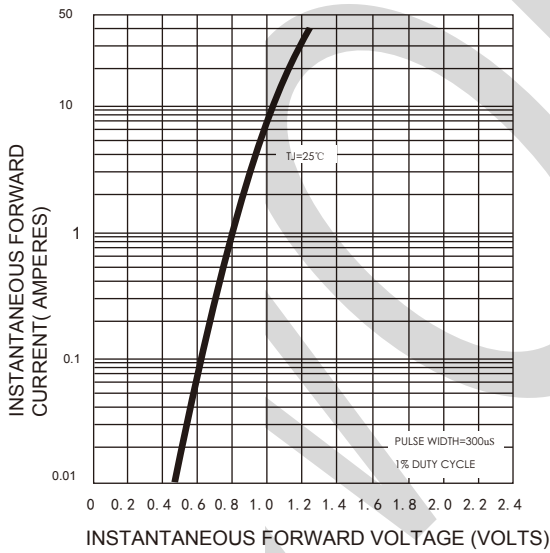
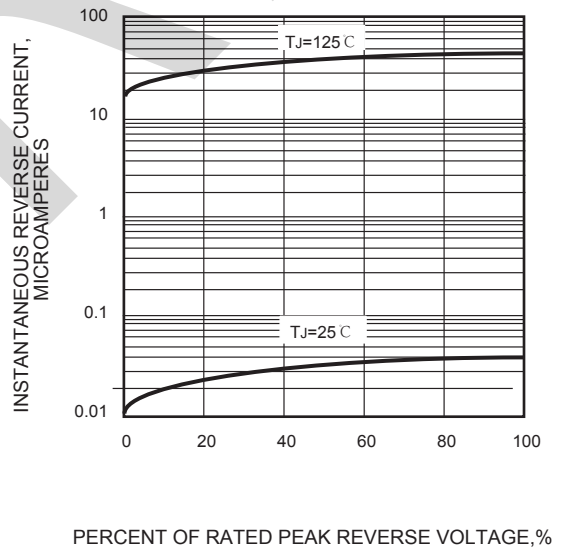


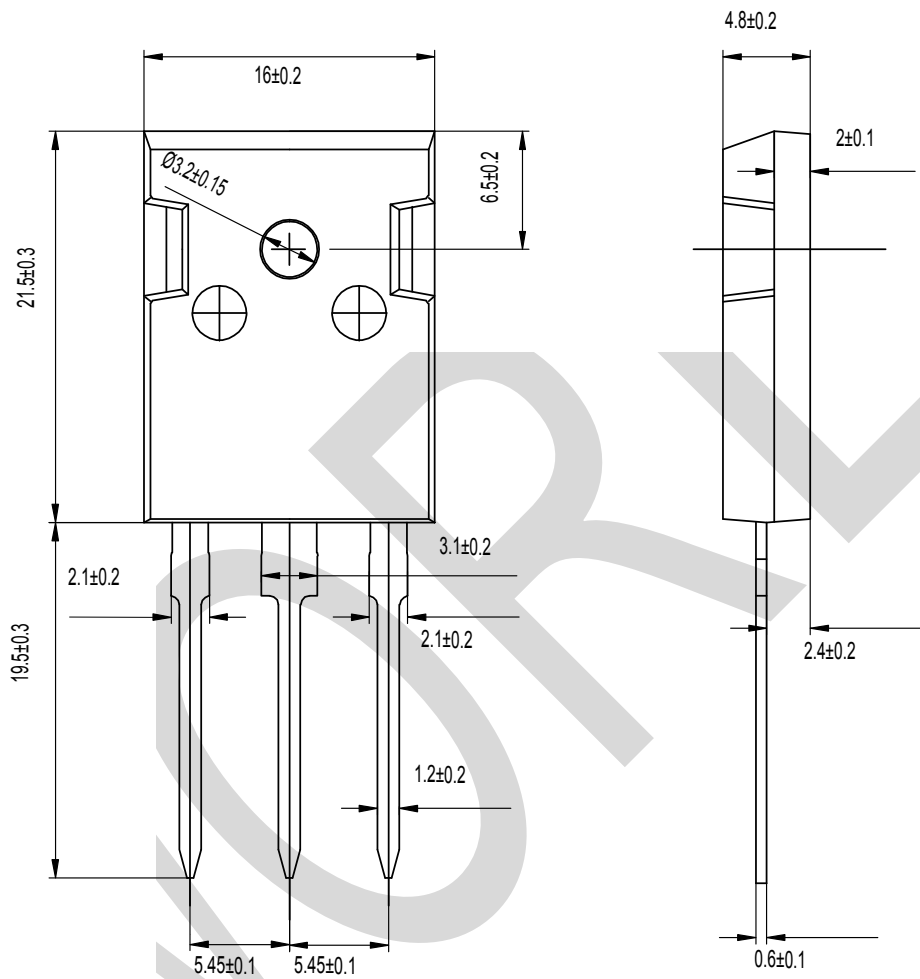
FIG.4 - TYPICAL REVERSE CHARACTERISTICS



## PACKAGE OUTLINE DIMENSIONS

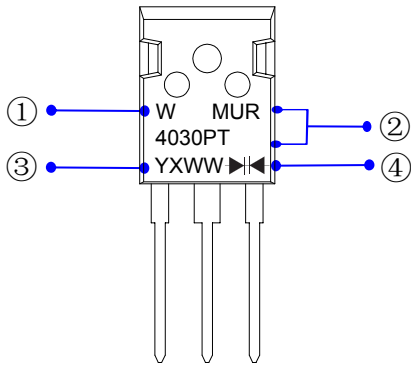
Note:unit: mm

### TO-247



Dimensions in millimeters

## Marking Information



- ① W : Company's trademark
- ② Product model : MUR4030PT

③ PDC information :

Y X WW

WW: Week code(01 to 53)

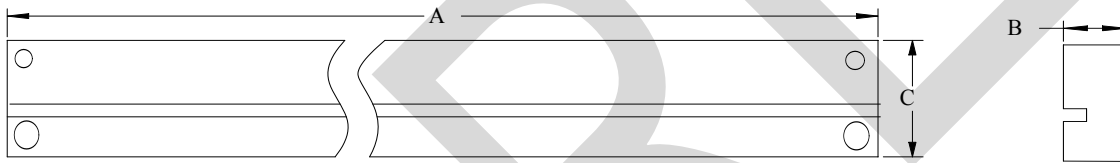
X: Internal identification code

Y: Year code(ex:0=2020)

④ Double wafer

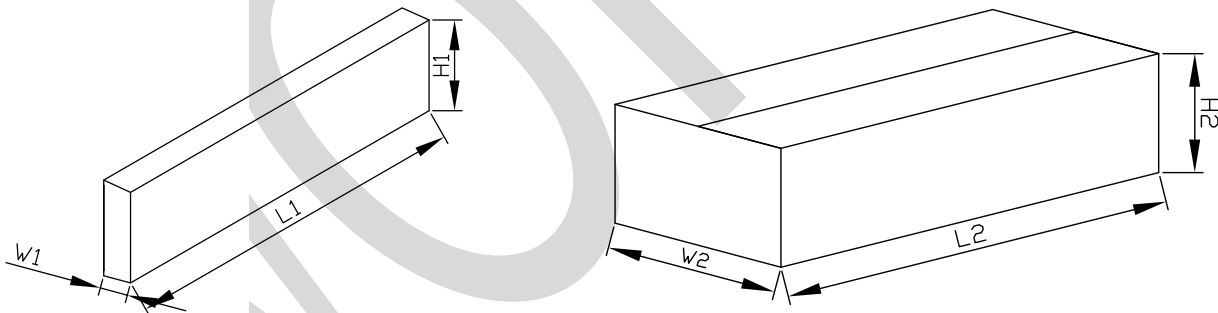
## Packaging Information

1. Tube Dimensions



2. Inside Box

3. Outside Box



## Packaging Information

NO	UNIT	Tube Dimensions			Inside Box			Outside Box		
		A	B	C	L1	W1	H1	L2	W2	H2
Size	mm	505	7	43	535	55	162	550	245	180
QTY	PCS	30PCS/Tube			Smallest package,600PCS, 20 tube in total			2,400PCS/carton,4 boxes in total		
Note	Tolerance $\leq 20\text{mm}, \pm 3\text{mm};$ 21-100mm, $\pm 5\text{mm};$ 101-500mm, $\pm 10\text{mm}$									