

Superfast Recovery Rectifier

TO-220AC
MUR1060ACT



TO-220FAC
MUR1060ACF



PIN2  PIN1

Features

- Low forward voltage drop
- Low leakage
- High current capability
- Super fast switching speed
- High forward surge capability
- High reliability.

Mechanical Data

- Epoxy: UL 94V-O rate flame retardant
- Lead: lead solderable per MIL-STD-202, method 208 guaranteed
- Polarity: Color band denotes cathode end
- Mounting position: Any
- Weight: 0.054ounce, 1.549gram

Parameter	Symbols	MUR1060ACT	MUR1060ACF	Units
Maximum Repetitive Peak Reverse Voltage	VRRM	600		V
Maximum RMS voltage	VRMS	420		V
Maximum DC Blocking Voltage	VDC	600		V
Maximum Average Forward Rectified Current	I(AV)	10.0		A
Reverse Recovery Time. IF=0.5A,IR=1A,IRR=0.25A	Trr	35		ns
Peak Forward Surge Current 8.3 ms Single Half Sine Wave Superimposed on Rated Load (JEDEC Method)	IFSM	150		A
I ² t rating for fusing (1ms< t < 10ms)	I ² t	93.3		A ² S
Maximum Forward Voltage at 10A and 25 °C	VF	1.7		V
Maximum DC Reverse Current @TA=25 °C at Rated DC Blocking Voltage @TA=100 °C	IR	5 250		μA
Typical Junction Capacitance (Note1)	Cj	50		pF
Operating and Storage Temperature Range	Tj, Tstg	-55 ~ +150		°C
Typical thermal resistance (Note 2)	RthJC	2.5	4.0	°C/W

Note: 1. Measured at 1MHz and applied reverse voltage of 4 VDC.

2. Thermal resistance junction to case, lead and ambient in accordance with JESD-51.

Unit mounted on glass-epoxy substrate with 1oz/ft² 20x20 mm copper pad per pin with heatsink

RATINGS AND CHARACTERISTICS CURVES (TA = 25 °C unless otherwise noted)

FIG. 1 - TYPICAL FORWARD CURRENT DERATING CURVE

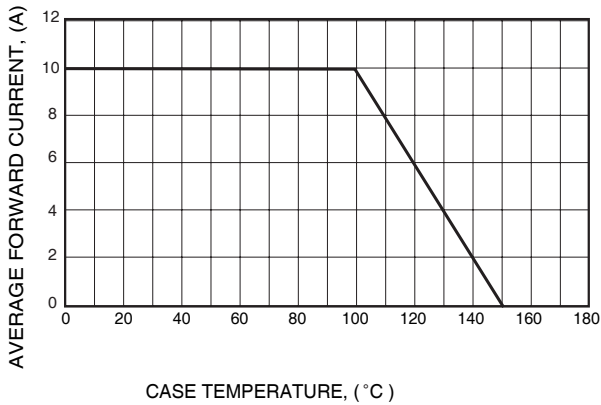


FIG. 2 - MAXIMUM NON-REPETITIVE FORWARD SURGE CURRENT

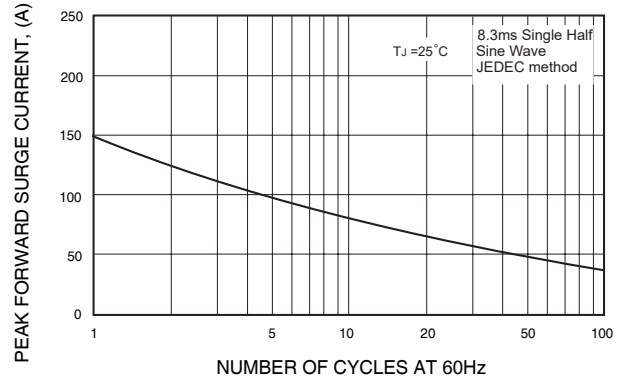


FIG. 3 - TYPICAL REVERSE CHARACTERISTICS

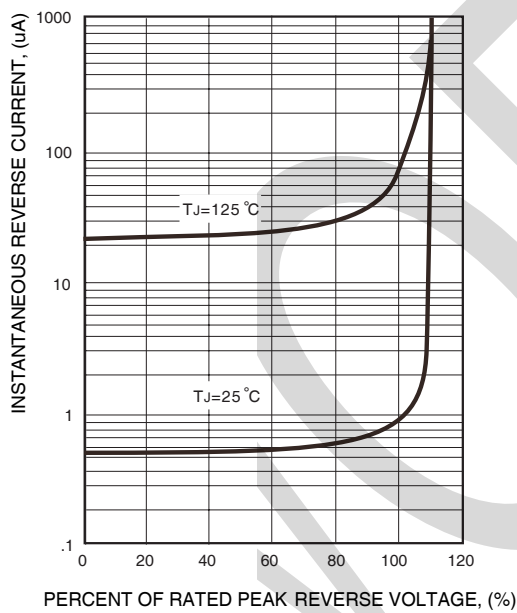
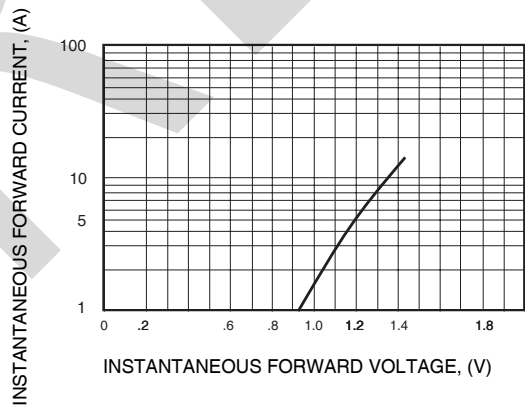
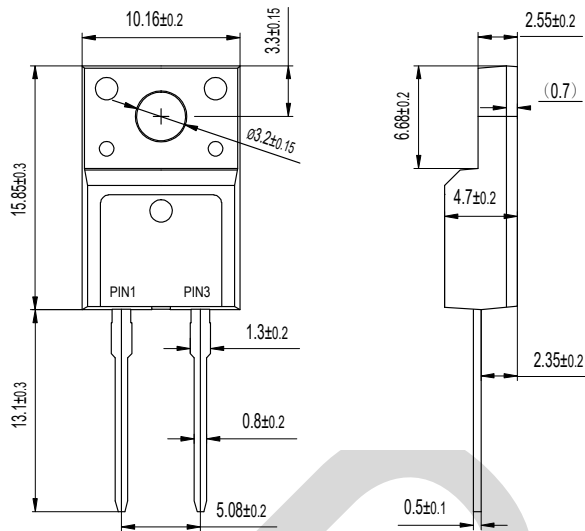


FIG. 4 - TYPICAL INSTANTANEOUS FORWARD CHARACTERISTICS

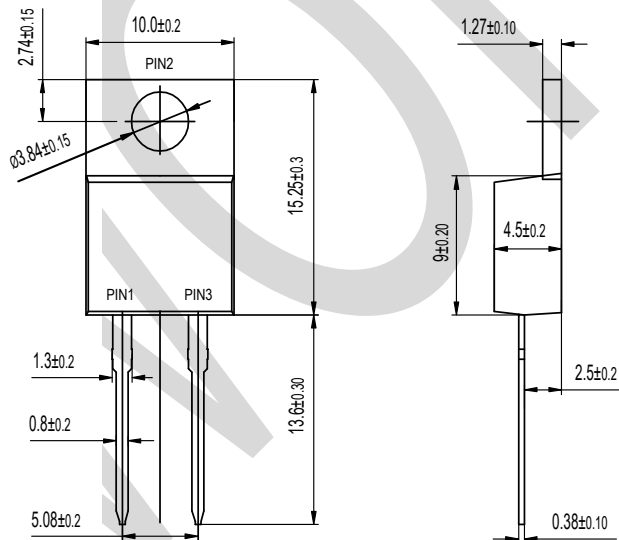


PACKAGE OUTLINE DIMENSIONS

Note:unit In(mm)

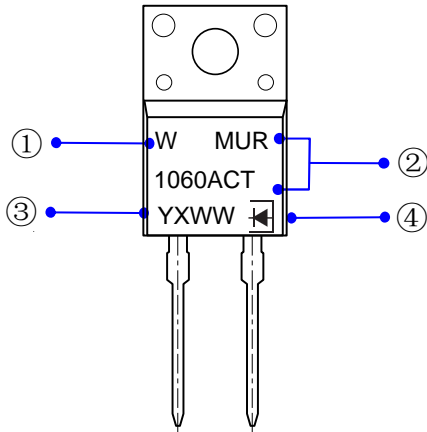


TO-220FAC Dimensions in millimeters

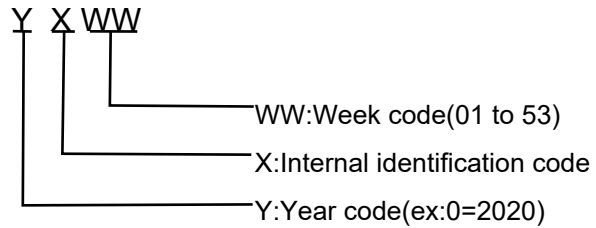


TO-220AC Dimensions in millimeters

Marking Information



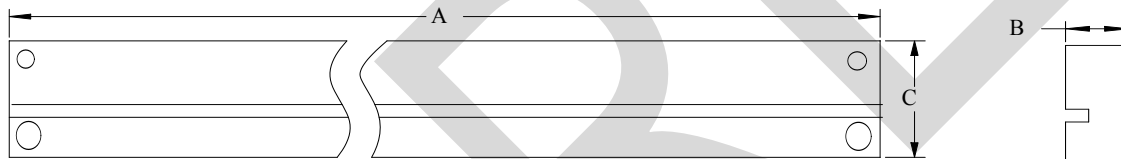
- ① W : Company's trademark
- ② Product model : MUR1060ACT or MUR1060ACTF
- ③ PDC information :



- ④  Single wafer

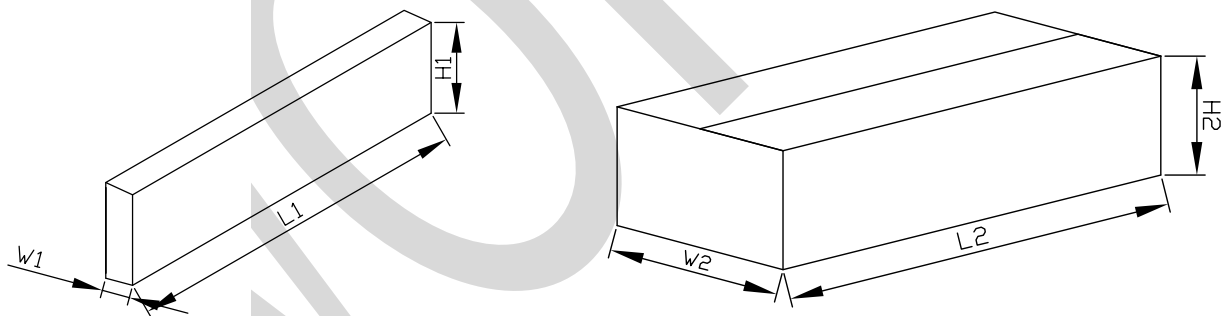
Packaging Information

1. Tube Dimensions



2. Inside Box

3. Outside Box



Packaging Information

NO	UNIT	Tube Dimensions			Inside Box			Outside Box		
		A	B	C	L1	W1	H1	L2	W2	H2
Size	mm	530	7	33	570	46	150	590	260	180
QTY	PCS	50PCS/Tube			Smallest package, 1000PCS, 20 tube in total			5,000PCS/carton, 5 boxes in total		
Note	Tolerance ≤20mm, ±3mm; 21-100mm, ±5mm; 101-500mm, ±10mm									